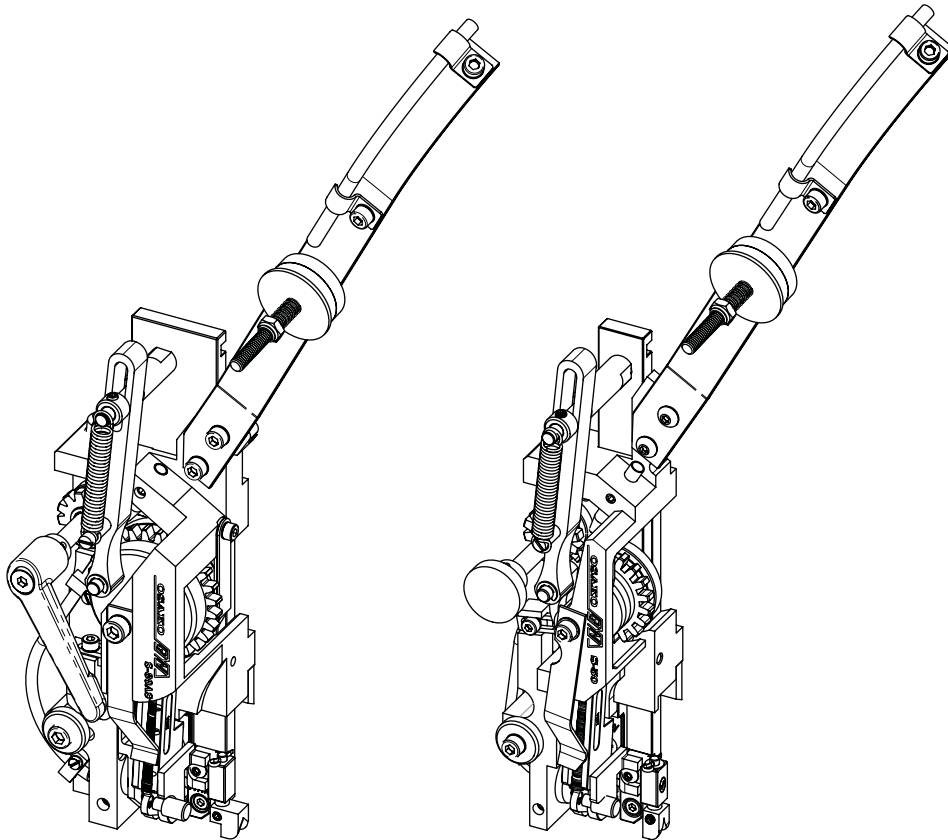




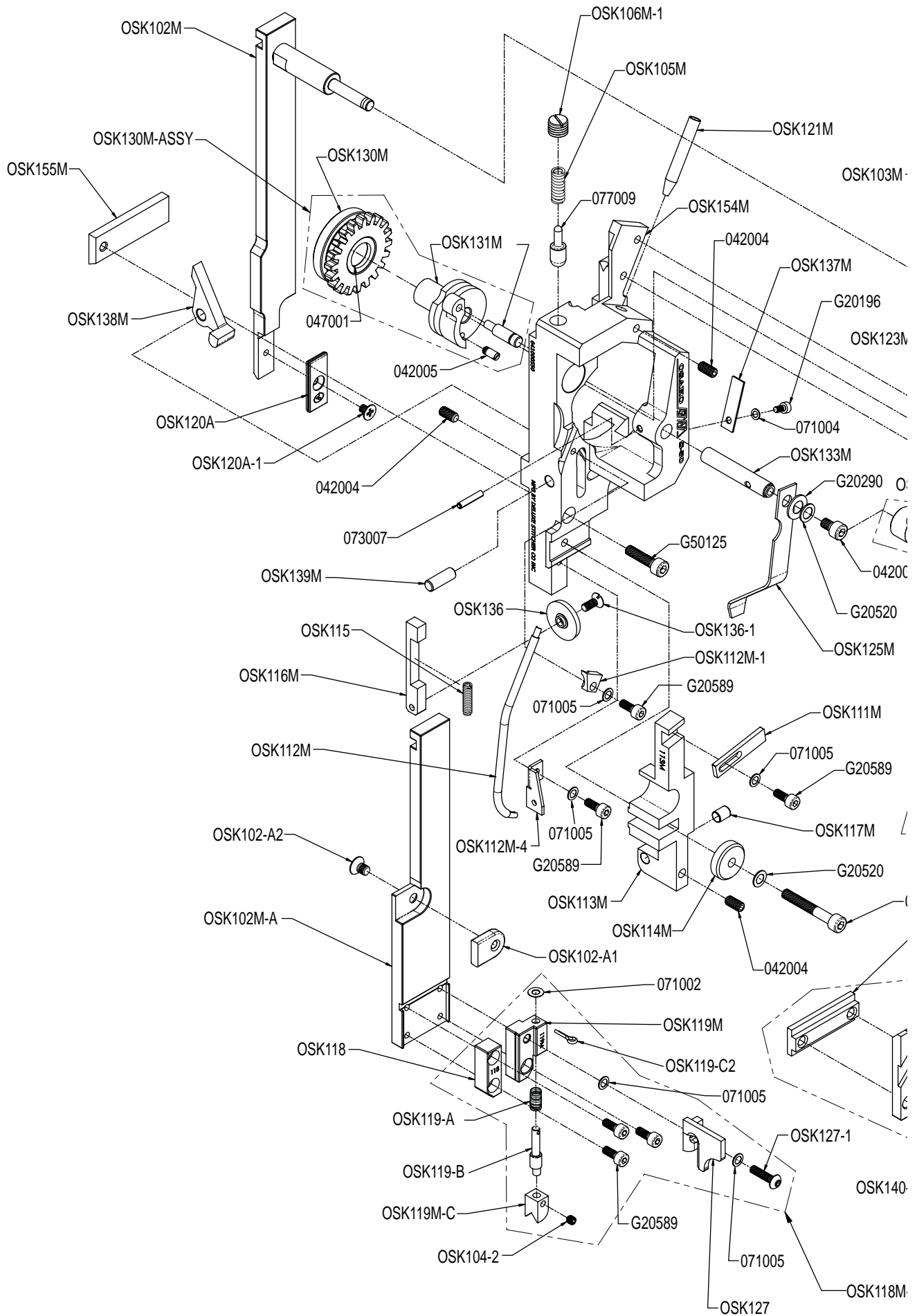
DELUXE STITCHER

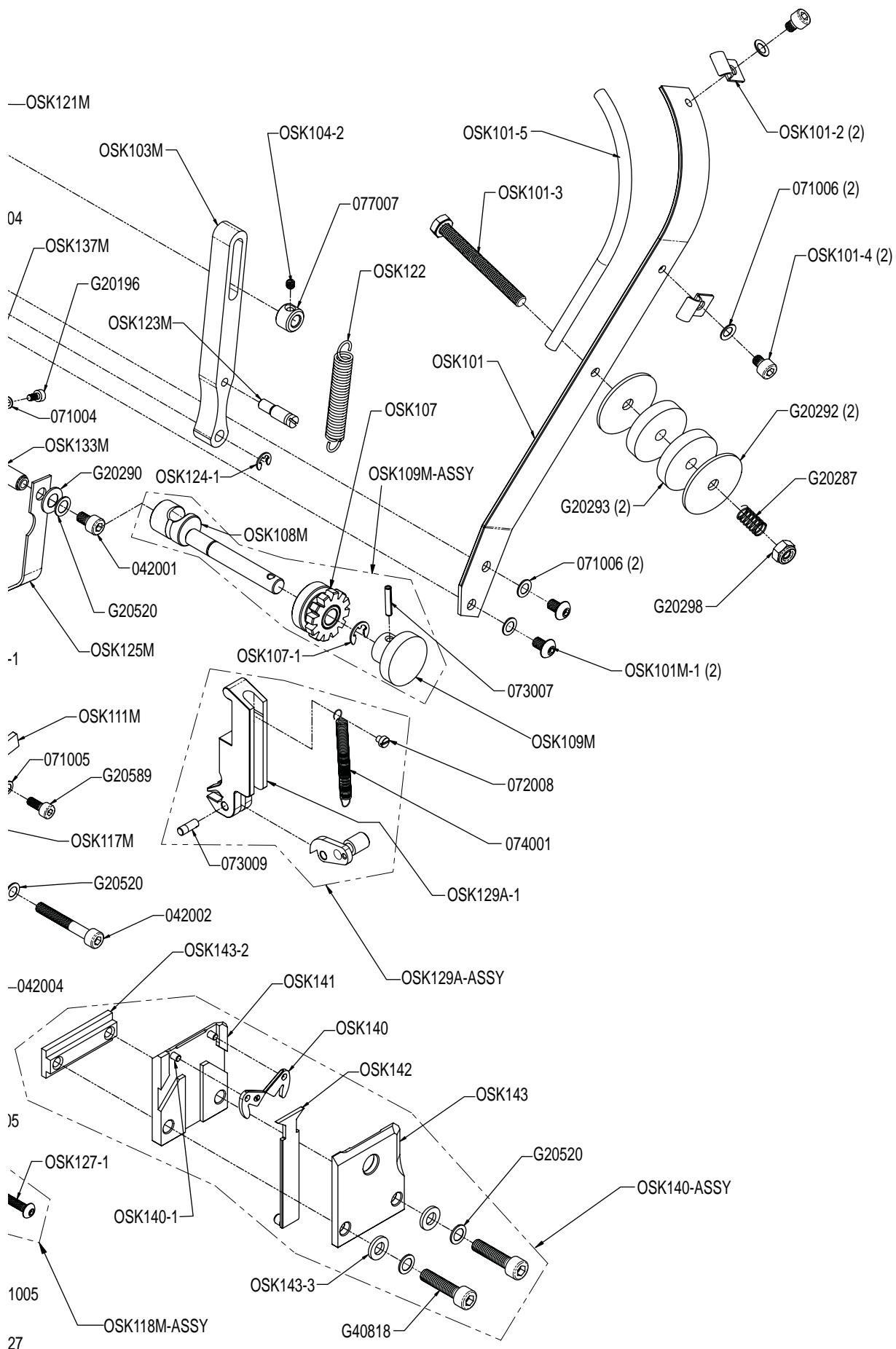
COMPANY INC.

Osako Stitcher Heads



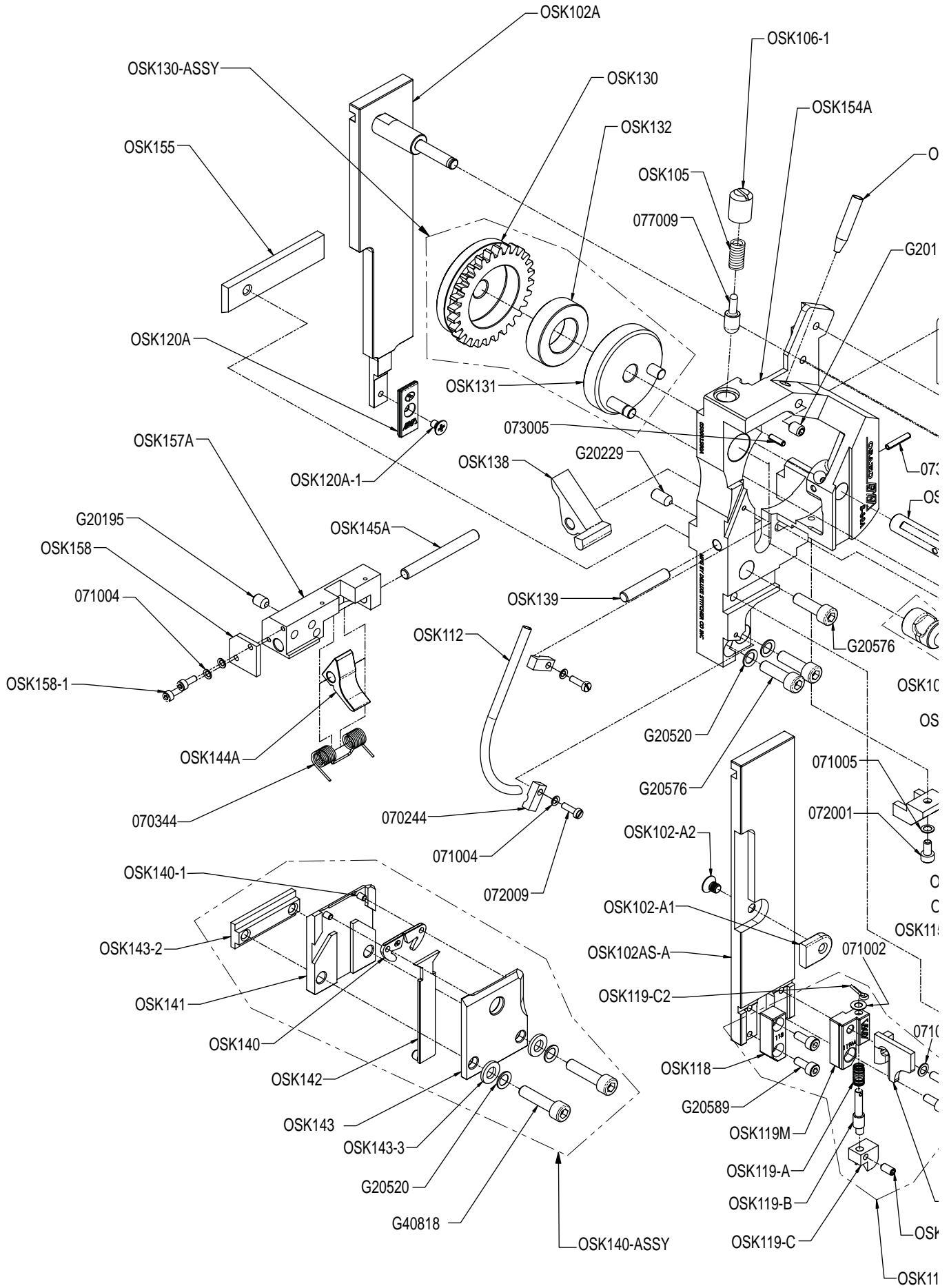
S50 STITCHER HEAD



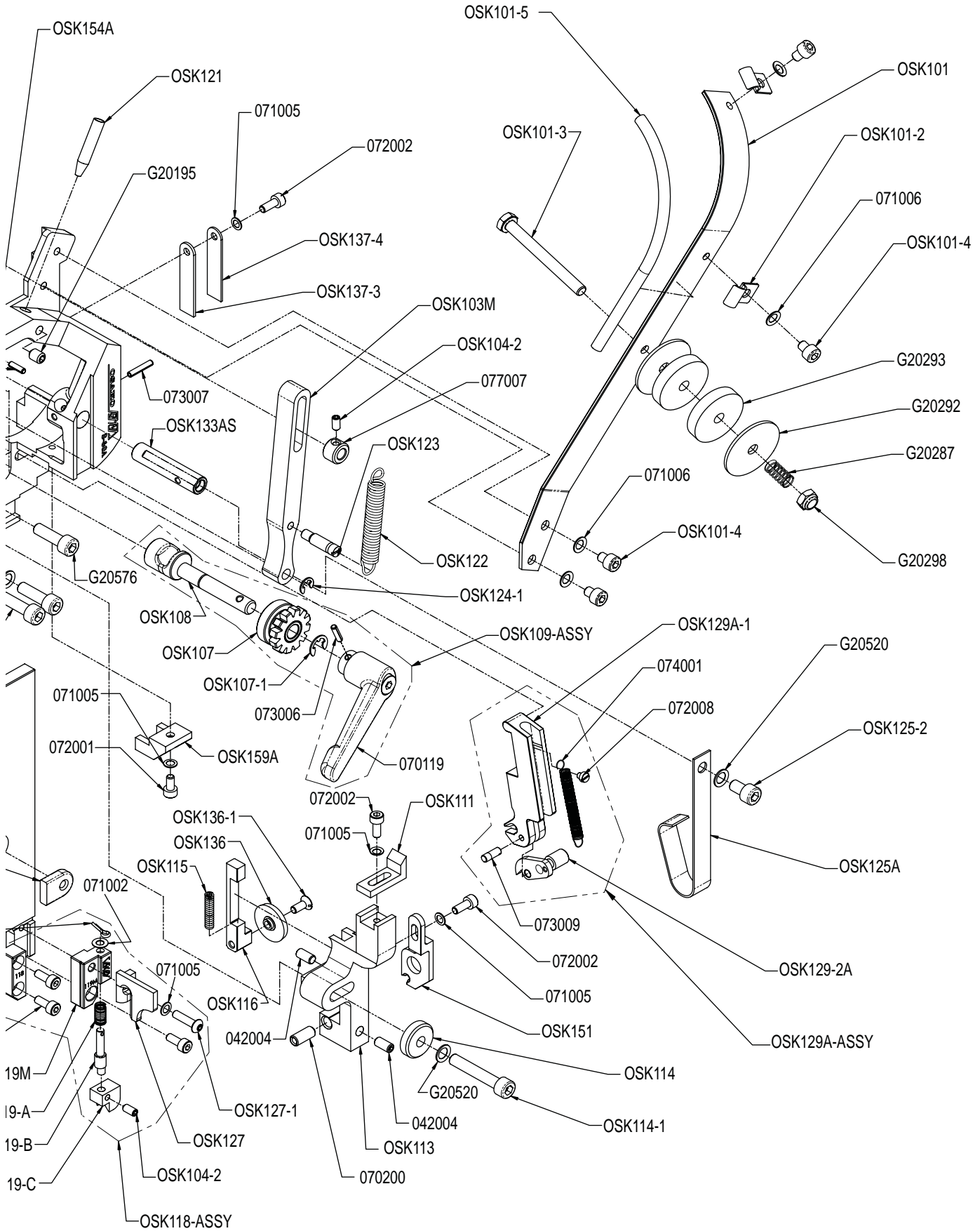


S50 STICHER HEAD

S80A STITCHER HEAD

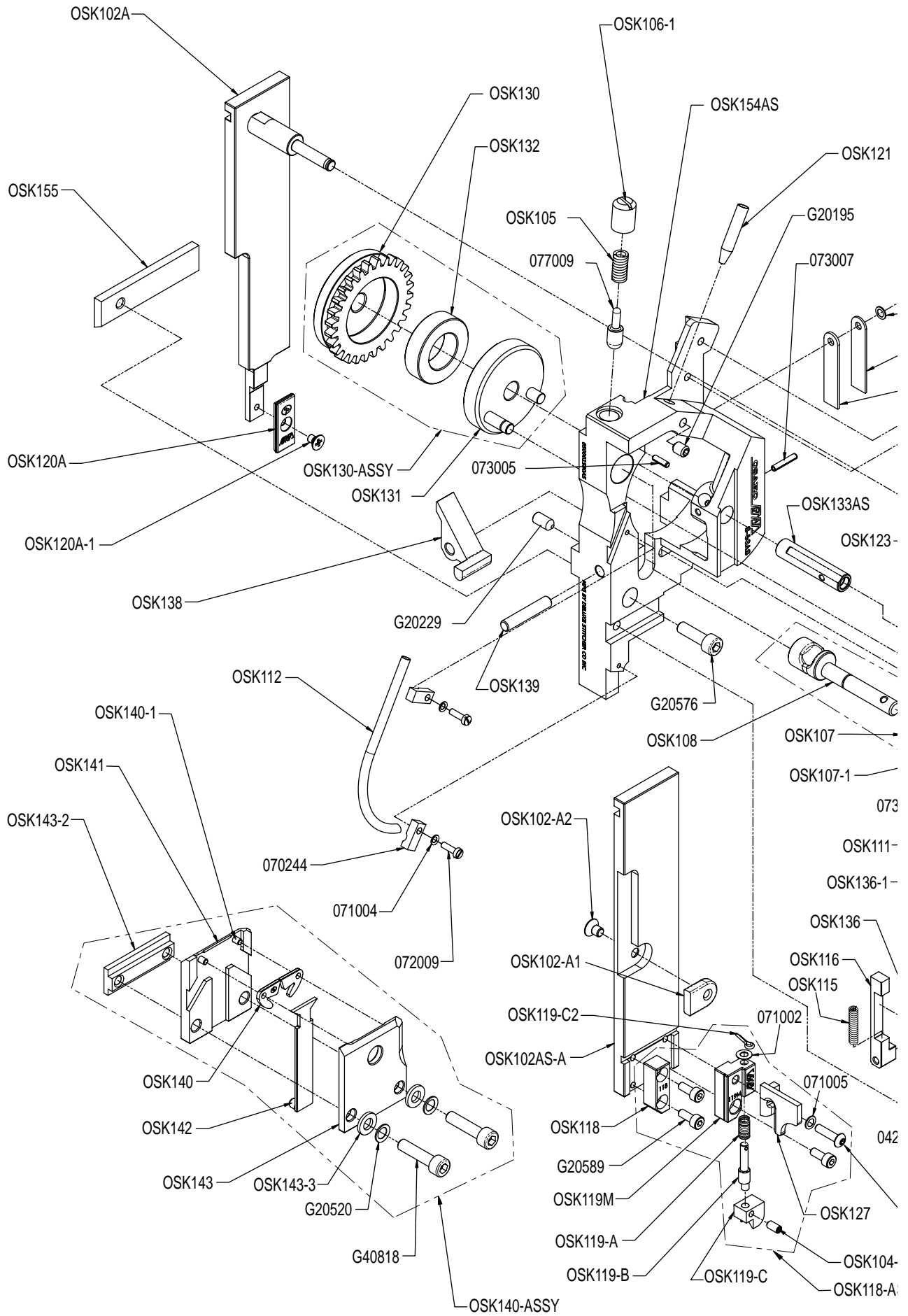


OSK106-1

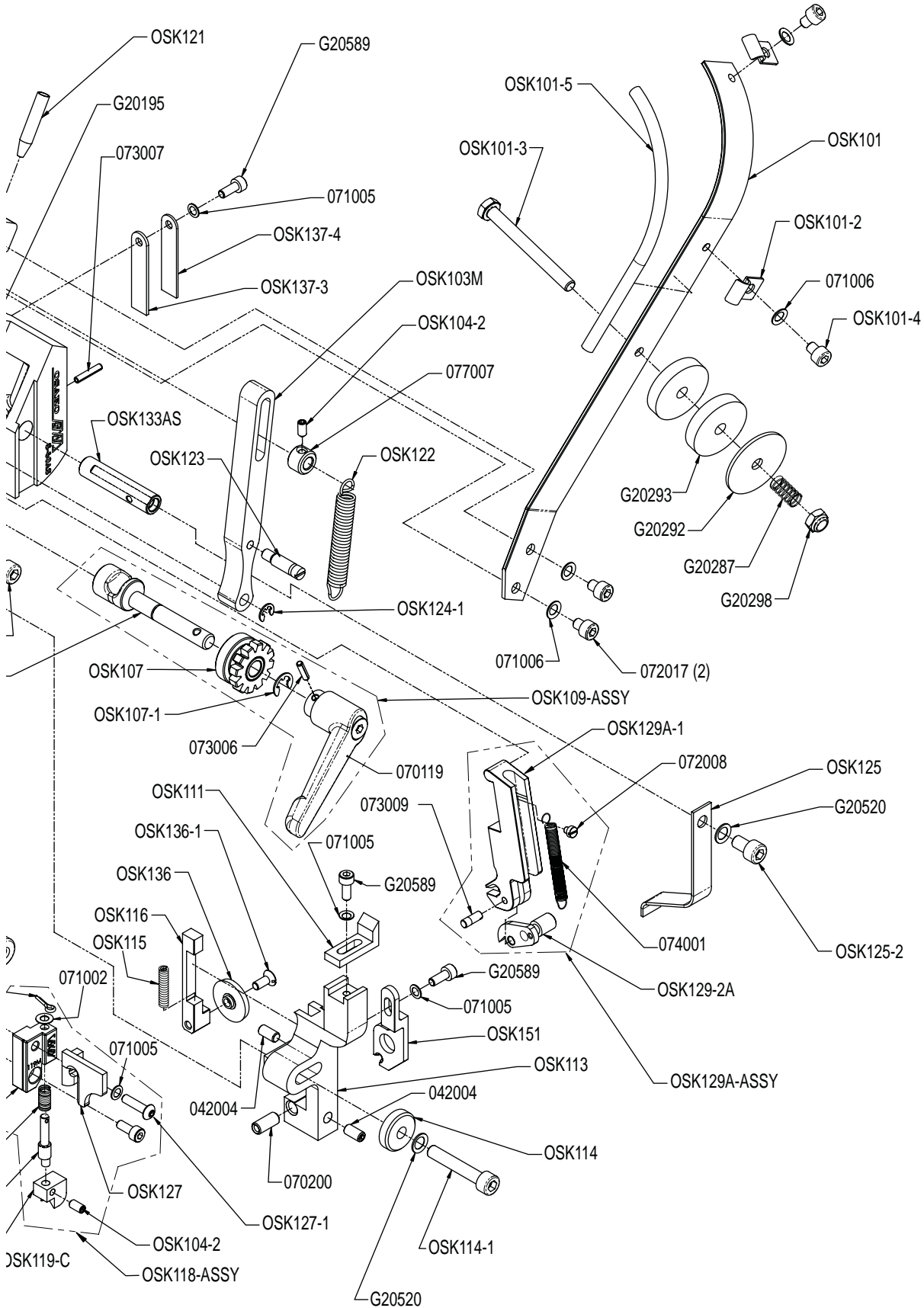


S80A STITCHER HEAD

S80AS STITCHER HEAD



OSK154AS



S80AS STITCHER HEAD

Part Number	Description		OSK105	Feed Eccentric Spring S-80		OSK127	Hook Guide Plate	
042001	Screw M5x0.8x8		OSK105M	Feed Eccentric Spring		OSK127-1	Screw M4x0.7x16	
042002	Screw M5x0.8x35		OSK106-1	Feed Cam Spring Bushing S-80		OSK129-2A	Gripper Hook Assembly	
042004	Screw M5x0.8x10		OSK106M-1	Feed Cam Spring Bushing		OSK129A-1	Wire Holder	
042005	Hook Pivot Screw		OSK107	Small Pinion Gear		OSK129A-ASSY	Wire Holder Assembly	
047001	Clutch Bearing		OSK107-1	Retaining Ring		OSK130	Large Feed Gear S-80	
070119	Feed Release Handle		OSK108	Eccentric Stud S-80		OSK130-ASSY	Large Feed Gear Assembly S-80	
070200	Fixed Cutter - Steel		OSK108M	Eccentric Stud S-50		OSK130M	Large Feed Gear S-50	
070244	Wire Tube Clamp		OSK109-ASSY	Handle & Small Feed Gear Assy S-80		OSK130M-ASSY	Large Feed Gear Assembly S-50	
070344	Supporter Spring		OSK109M	Feed Release Handle		OSK131	Feed Gear Pinion Assembly S-80	
071002	Shim Washer		OSK109M-ASSY	Feed Release Handle Assembly		OSK131M	Feed Gear Pinion Assembly S-50	
071004	Lock Washer Ribbed M3		OSK110M-1	Flat Washer M4		OSK132	Feed Gear Clutch	
071005	Lock Washer Ribbed M4		OSK111	Stopper For Wire S-80		OSK133AS	Feed Gear Pin S-80AS	
071006	Lock Washer Ribbed M5		OSK111M	Stopper For Wire S-50		OSK133M	Clutch Shaft S-50	
072001	Screw M4x0.7x8		OSK112	Lower Wire Tube S-80		OSK136	Moving Cutter -Steel	
072002	Screw M4x0.7x10		OSK112M	Lower Wire Tube S-50		OSK136-1	Moving Cutter Mounting Screw	
072008	Screw M3X0.5X3		OSK112M-1	Wire Tube Clamp		OSK137-3	Friction Wear Strip S-80	
072009	Screw M3x0.5x10		OSK112M-4	Tube Clamp		OSK137-4	Friction Strip Spring S-80	
073006	Spring Pin M3x12		OSK112M-5	Lower Wire Tube Spring		OSK137M	Friction Strip S-50	
073007	Spring Pin M3x16		OSK113	Cutter Box S-80		OSK138	Cutter Operating Lever S-80	
073009	Hook Pivot Pin, Nylon		OSK113M	Cutter Box S-50		OSK138M	Cutter Operating Lever S-50	
074001	Wire Holder Spring		OSK114	Cutter Box Washer S-80		OSK139	Cutter Operating Lever Pivot Pin S-80	
077007	Set Collar		OSK114-1	Screw M6x35		OSK139M	Cutter Operating Lever Pivot Pin S-50	
077009	Feed Cam Plunger		OSK114M	Washer		OSK140	Clincher Point	
G20195	Screw M6x1.0x8		OSK115	Cutter Operating Spring		OSK140-1	Clincher Plate Pivot Pin	
G20196	Screw M3x0.5x6		OSK116	Cutter Slide S-80		OSK140-ASSY	Clincher Plate Assembly	
G20229	Screw M6x1.0x12, Nylon		OSK116M	Cutter Slide S-50		OSK141	Clincher Back Plate	
G20287	Wire Oiler Felt Spring		OSK117M	Fixed Cutter, Steel		OSK142	Clincher Slide	
G20290	Flat Washer M5		OSK118	Former - Left		OSK143	Clincher Front Plate	
G20292	Wire Oil Felt, Washer		OSK118-ASSY	Formers w/ Centering Guide Assy S-80		OSK143-2	Clincher Plate Mounting Strap	
G20293	Wire Oiler Felt		OSK118M-ASSY	Formers w/ Centering Guide Assy S-50		OSK143-3	Washer M6	
G20298	Nylock Lock Nut, M6x1		OSK119-A	Centering Guide Spring		OSK144A	Supporter S-80A	
G20520	Lock Washer Ribbed M6		OSK119-B	Centering Guide Pin		OSK145A	Supporter Pin S-80A	
G20576	Screw M6x1.0x20		OSK119-C	Centering Guide S-80		OSK151	Wire Straightener S-80	
G20589	Screw M4x0.7x10, Nylon		OSK119-C2	Cotter Pin		OSK154A	Bonnet Assembly S-80A	
G40818	Screw M6x1.0x25		OSK119M	Former - Right		OSK154AS	Bonnet Assembly S-80AS	
G50125	Screw M5x0.8x20		OSK119M-C	V-Block Centering Guide		OSK154M	Bonnet Assembly S-50	
OSK101	Wire Guide Spring		OSK120A	Driver 0.6 Wire		OSK155	Mounting Plate S-80	
OSK101-2	Wire Guide Spring Clip		OSK120A-1	Screw M4x0.7x6		OSK155M	Mounting Plate S-50	
OSK101-3	Screw		OSK121	Upper Wire Tube S-80		OSK157A	Supporter Holder S-80A	
OSK101-4	Screw, M5X.8X6		OSK121M	Upper Wire Tube		OSK158	Supporter Plate S-80A	
OSK101-5	Wire Guide Spring Tube		OSK122	Feed Lever Spring		OSK158-1	Supporter Plate Mounting Screw S-80A	
OSK101M-1	Screw M5x0.8x8		OSK123	Feed Lever Pin S-80		OSK159A	Wire Holder Guide S-80A	
OSK102A	Driving Slide S-80		OSK123M	Feed Lever Pin S-50		OSK-S50	Stitcher Head Assembly - Osako S-50	
OSK102-A1	Cam For Plate		OSK124-1	E-Ring		OSK-S80A	Stitcher Head Assembly - Osako S-80A	
OSK102-A2	Screw M5x0.8x7.5		OSK125	Wire Holder Retaining Spring S-80AS		OSK-S80AS	Stitcher Head Assembly - Osako S-80AS	
OSK102A-A	Bender Slide S-80A		OSK125-2	Screw M6X1.0X10				
OSK102AS-A	Bender Slide S-80AS		OSK125A	Wire Holder Retaining Spring S-80A				
OSK102M	Driving Slide S-50		OSK125M	Wire Holder Retaining Spring S-50				
OSK102M-1	Driving Slide Pin							
OSK102M-A	Bender Slide S-50							
OSK103M	Feed Lever							
OSK104-2	Screw M4x0.7x4							